

## HVAC CONTROL PRODUCTS

### Sensors

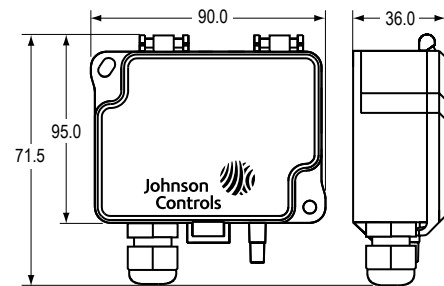
## Differential Pressure

# DP2500 and DP0250

The DP low differential pressure transmitter series is an accurate and cost competitive solution for measuring low pressures of air and non-aggressive gases in order to monitor and control pressures in building automation, HVAC and clean room systems.

### Features

- Power supply 24 VAC/VDC
- Pressure range: 8 different ranges in one device (see the table)
- Output signal: 0...10 VDC or 4...20 mA
- Automatically autozero point adjusting
- Response time selectable
- 2 rows x 12 characters digit display
- Back-light Display
- Protection class: IP54
- Configurable measuring unit (Pa, kPa, mbar, inchwc, mmwc, psi)



Dimensions in mm

Ordering Codes	Packaging	Operating Range (Pa)	Auto Zero	Display	Output Signal	Enclosure	Supply Voltage	Span Point Adjustment
DP2500-R8	Single	-100...+100	---	---	0...10 VDC or 4...20 mA	IP54	24 VAC / VDC	---
DP2500-R8-01	Bulk	0...100	●					
DP2500-R8-AZ	Single	0...250		---				
DP2500-R8-AZ-01	Bulk	0...500	●					
DP2500-R8-D	Single	0...1000		---				
DP2500-R8-AZ-D		0...1500	●					
DP0250-R8-AZ	Bulk	0...2000		---				
DP0250-R8-AZ-01		0...2500	●					
DP0250-R8-AZ-D	Single	0...25		---				
DP0250-R8-AZS		0...50	●					
DP0250-R8-AZ-DS	Bulk	0...100		---				
DP0250-R8-AZS		0...250	●					
DP0250-R8-AZS	Single	-25...+25		---				
DP0250-R8-AZS		-50...+50	●					
DP0250-R8-AZS	Bulk	-100...+100		---				
DP0250-R8-AZS		-150...+150	●					

HVAC CONTROL PRODUCTS  
Sensors

## Pressure

## PT-5217

*Liquid or Air Pressure Transmitter*

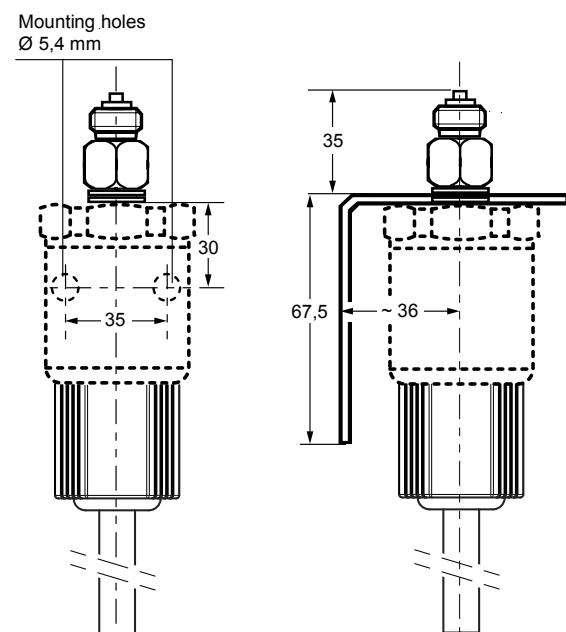
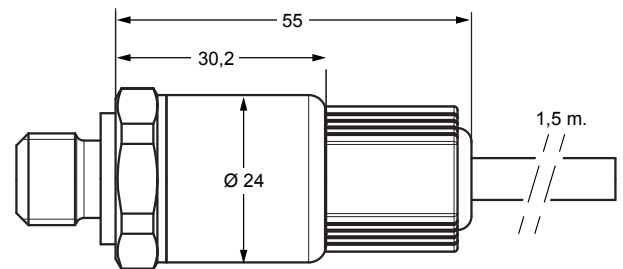
The PT-5217 pressure transmitter accurately measures pressure and converts the measurement into a standard proportional 0...10 V signal.

The PT-5217 is especially adapted to measure relative and absolute pressure of liquid and gases.

The pressure transmitter consists of a piezoresistive ceramic measuring cell with a diaphragm, installed in a stainless steel housing.

## Features

- Compact, rugged construction
- Negligible temperature influence on accuracy
- Low hysteresis
- High accuracy
- Direct mounting, 1,5 m cable included
- Splash proof enclosure



Dimensions in mm

Ordering Codes	Operating Range	Enclosure	Supply Voltage
PT-5217-7011	0...100 kPa	IP67	24 VAC +15% / -15%, 50/60 Hz or 12...33 VDC, < 7 mA
PT-5217-7101	0...1000 kPa		

## Accessories (order separately)

Ordering Codes	Description
EQ-6056-7000	Mounting kit for plastic hose 4 x 6 mm
EQ-0100-7001	Mounting kit for DIN rail